

LOW RAISE LIFT

LR 500



Specifications :

Lifting Capacity	3 Tons (3000 kgs)
No. of platforms	2 Independent
No. of Air bellows	2 nos. / 3 stages / each of 3 tons capacity
Air pressure	8 to 12 bars
Min Height	105 mm
Max. Lifting height (without rubber blocks)	480 mm
No. of Platform extensions	2 nos. 1 in front & 1 at the back

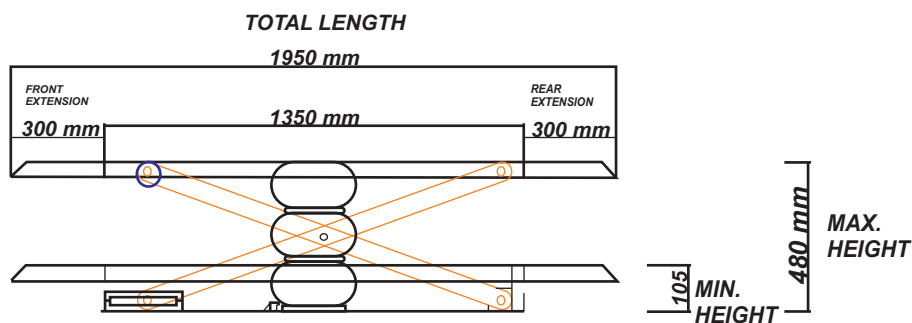
Provided with :



5 m long Air hose of 10 mm dia.

Rubber Blocks - 4 nos.
40 mm thick each

DIMENSIONS :



MADE IN INDIA

Rajus Equipments Pvt Ltd., (REC)

No.7, Arunachalam Road, Saligramam, Chennai - 600 101.

Ph. +91 44 2376 6076 Mob : +91 9940406880

